



# UNI FLIP TABLES

The innovative Uni Flip table supports modern work dynamics as a superb choice for conference, training, meeting and catering facilities as well as quickly meeting the demand for extra working space for projects.

- Conference
  - Training
  - Meeting
  - Catering
-

# UNI FLIP TABLES



Showing Uni Flip Silver  
1800mm x 750mm with mixed  
colour Link Seating

## STANDARD FEATURES

- White/Silver powdercoat or Chrome posts, frames, rail & pullbars, black castors
- Worksurfaces are manufactured to the melamine of your choice.
- Locking Castors

## STANDARD FRAME SIZES ACCOMMODATE WORKSURFACE SIZES

- 1200w x 600d mm
- 1200w x 750d mm
- 1500w x 600d mm
- 1500w x 750d mm
- 1800w x 600d mm
- 1800w x 750d mm
- 1800w x 900d mm



Uni Flip White Powdercoat



Uni Flip Silver Powdercoat



Uni Flip Chrome



White Table Link Locked



White Table Link Unlocked

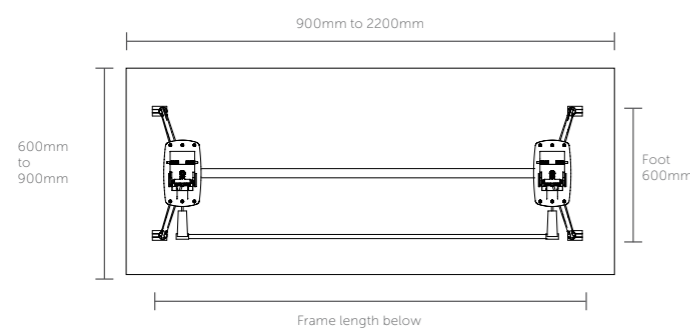


Black Table Link Locked



Black Table Link Unlocked

## FRAME SIZE



Total Frame Length	
AU-FWFLRAIL50	= 800mm
AU-FWFLRAIL80	= 1100mm
AU-FWFLRAIL110	= 1400mm
AU-FWFLRAIL140	= 1700mm

## NESTING DIMENSIONS

